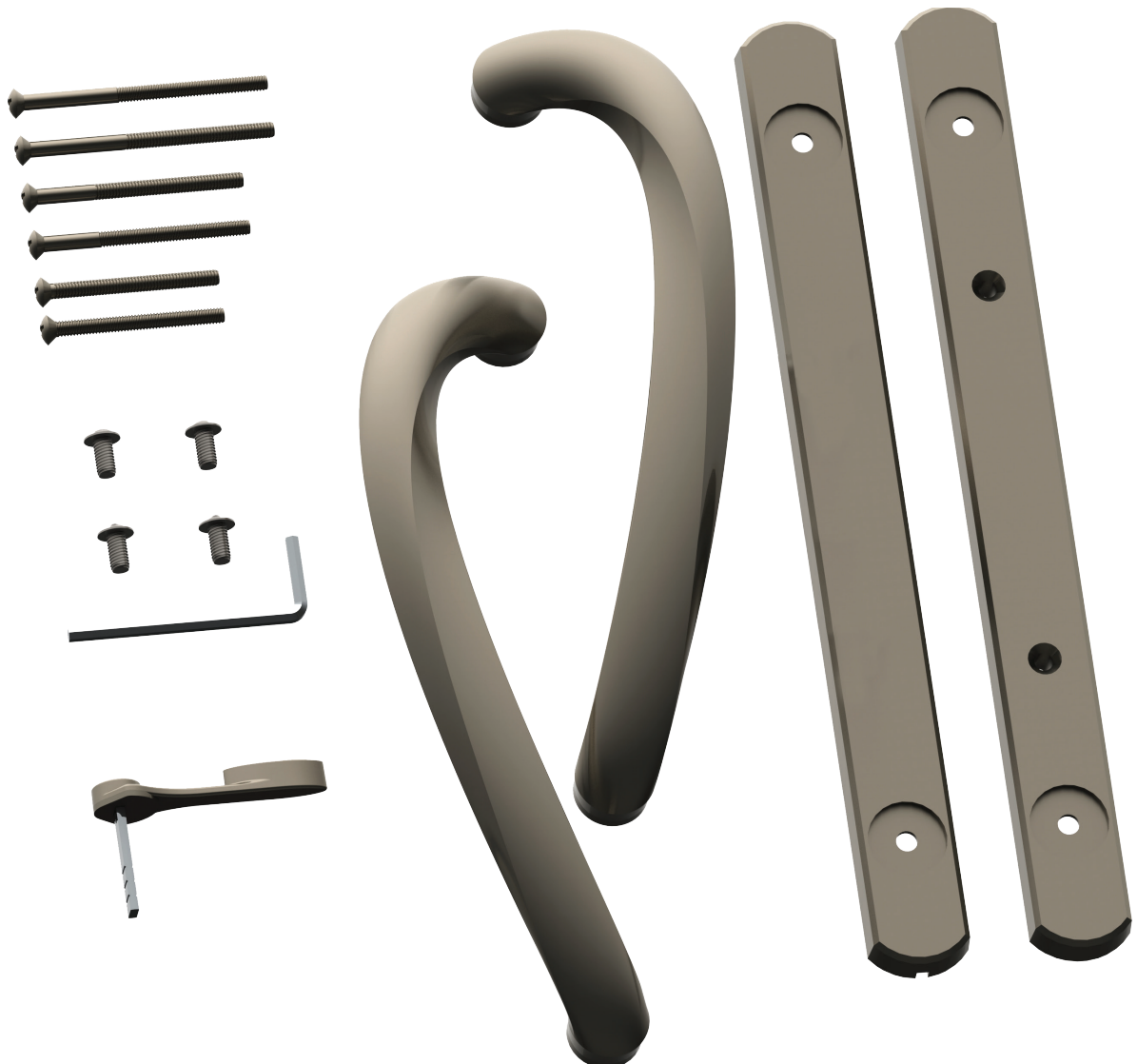
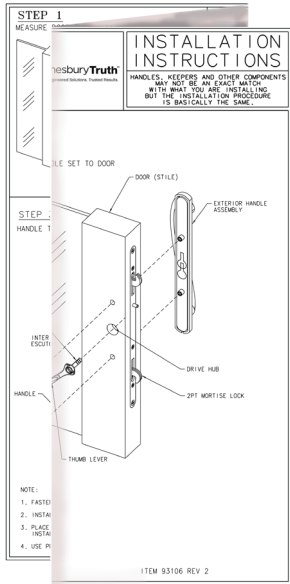


## 40.90.xx.100 SEMI-ACTIVE HANDLE KIT

Included in the 40.90.xx.100 Semi-Active handle kit:

- Both OX and XO handles.
- Interior escutcheon.
- Exterior escutcheon with full length gasket.
- Thumb lever assembly.
- Handle (4) mounting screws with hex wrench.
- 3 sets of door mounting screws of 1 3/4", 2 1/8", 2 1/2" lengths to fit stile thicknesses ranging from 1.25" to 2.25".
- Assembly instruction sheet.

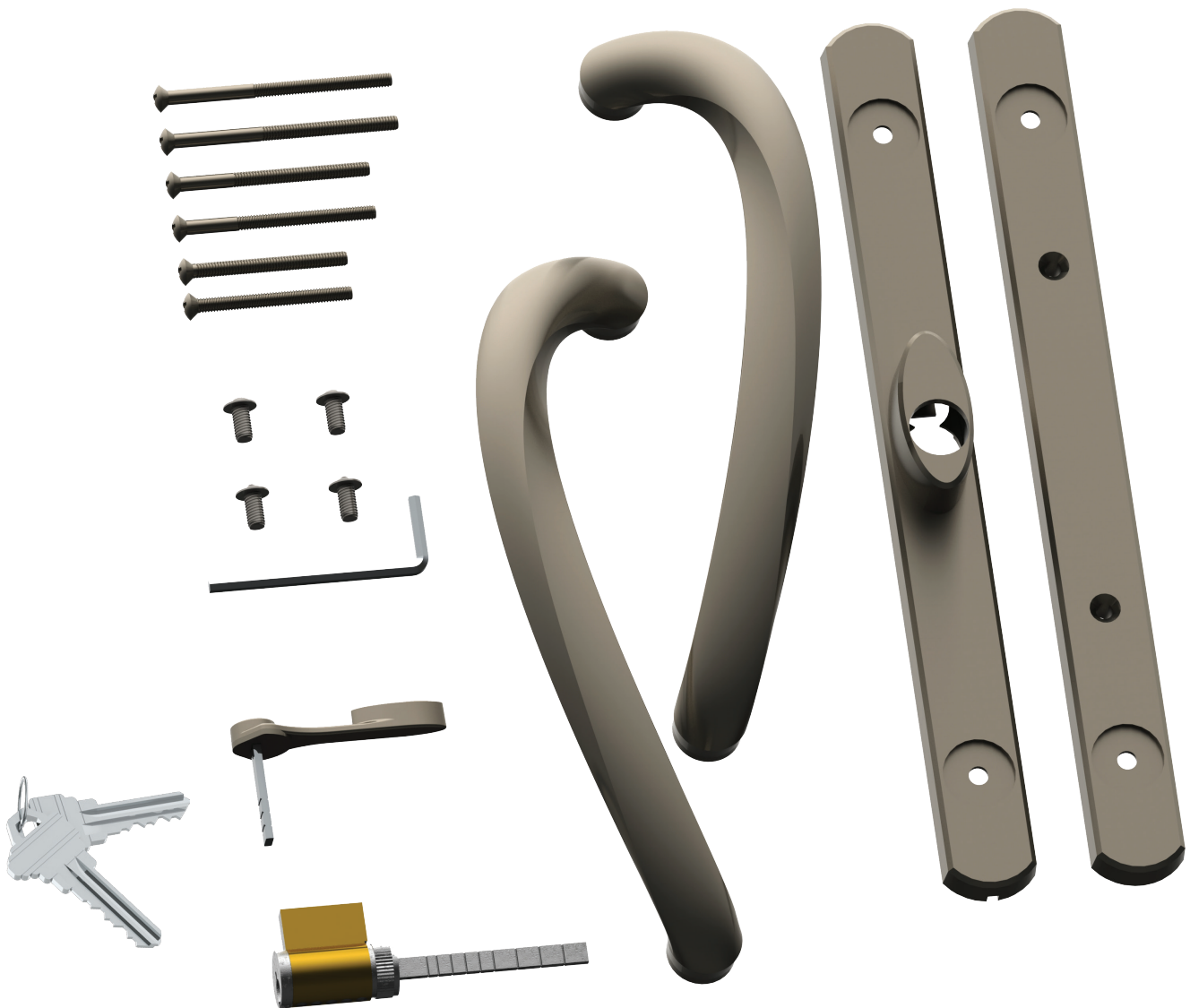


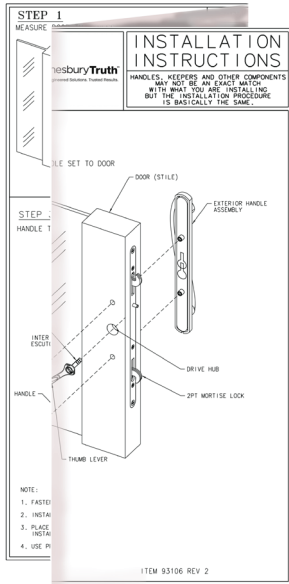


## 40.90.xx.101 ACTIVE HANDLE KIT (CENTERED)

Included in the 40.90.xx.101 Active handle kit:

- Both OX and XO handles.
- Interior escutcheon.
- Exterior escutcheon with full length gasket.
- Thumb lever assembly.
- Handle (4) mounting screws with hex wrench.
- 3 sets of door mounting screws of 1 3/4", 2 1/8", 2 1/2" lengths to fit stile thicknesses ranging from 1.25" to 2.25".
- KD SCH-C style 5-pin Key cylinder. (KA available separately)
- 2 keys
- Assembly instruction sheet.

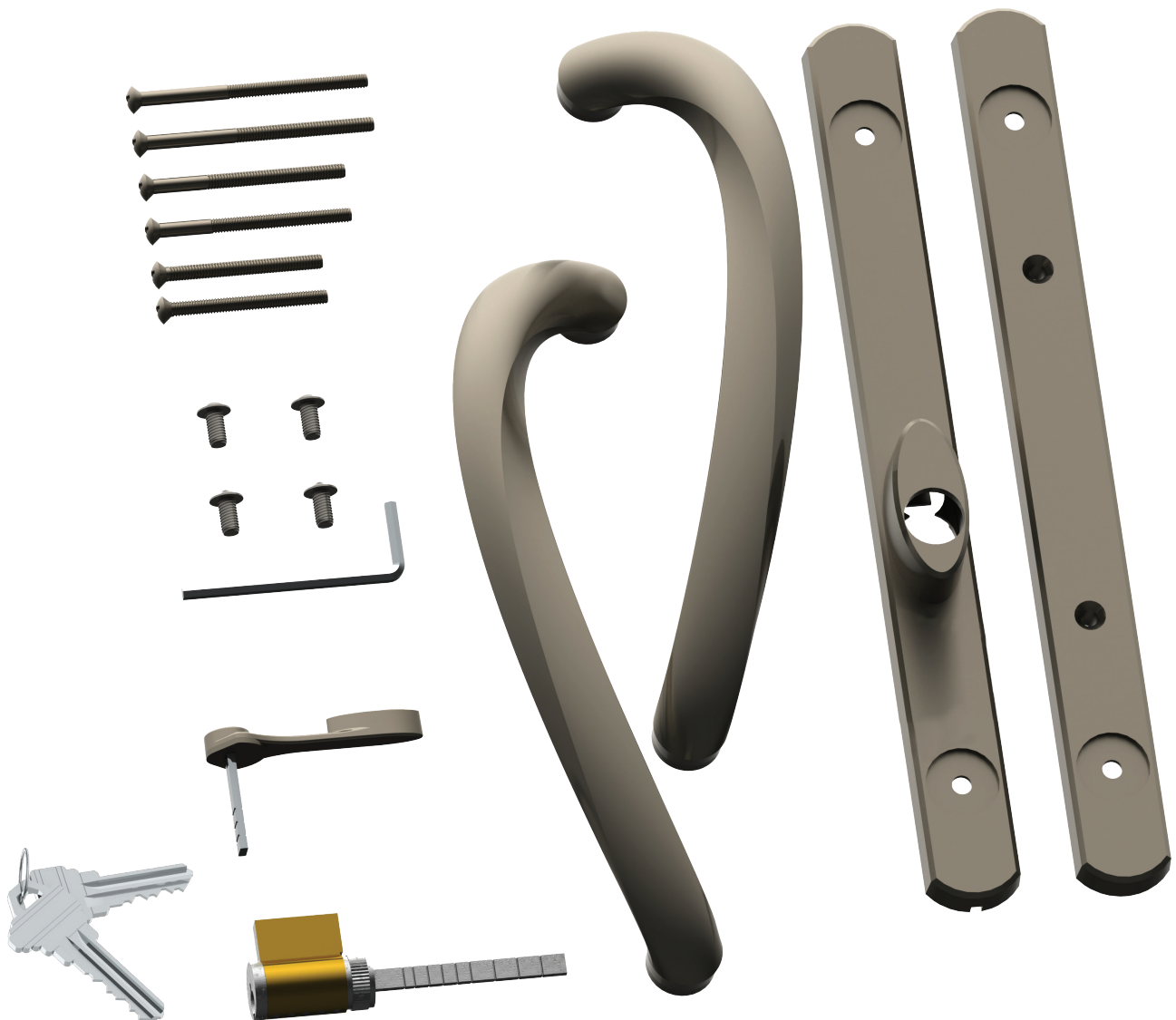


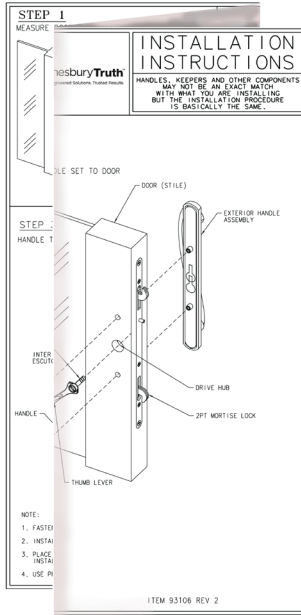


## 40.90.xx.102 ACTIVE HANDLE KIT (OFFSET)

Included in the 40.90.xx.102 Active handle kit:

- Both OX and XO handles.
- Interior escutcheon.
- Exterior escutcheon with full length gasket.
- Thumb lever assembly.
- Handle (4) mounting screws with hex wrench.
- 3 sets of door mounting screws of 1 3/4", 2 1/8", 2 1/2" lengths to fit stile thicknesses ranging from 1.25" to 2.25".
- KD SCH-C style 5-pin Key cylinder. (KA available separately)
- 2 keys
- Assembly instruction sheet.

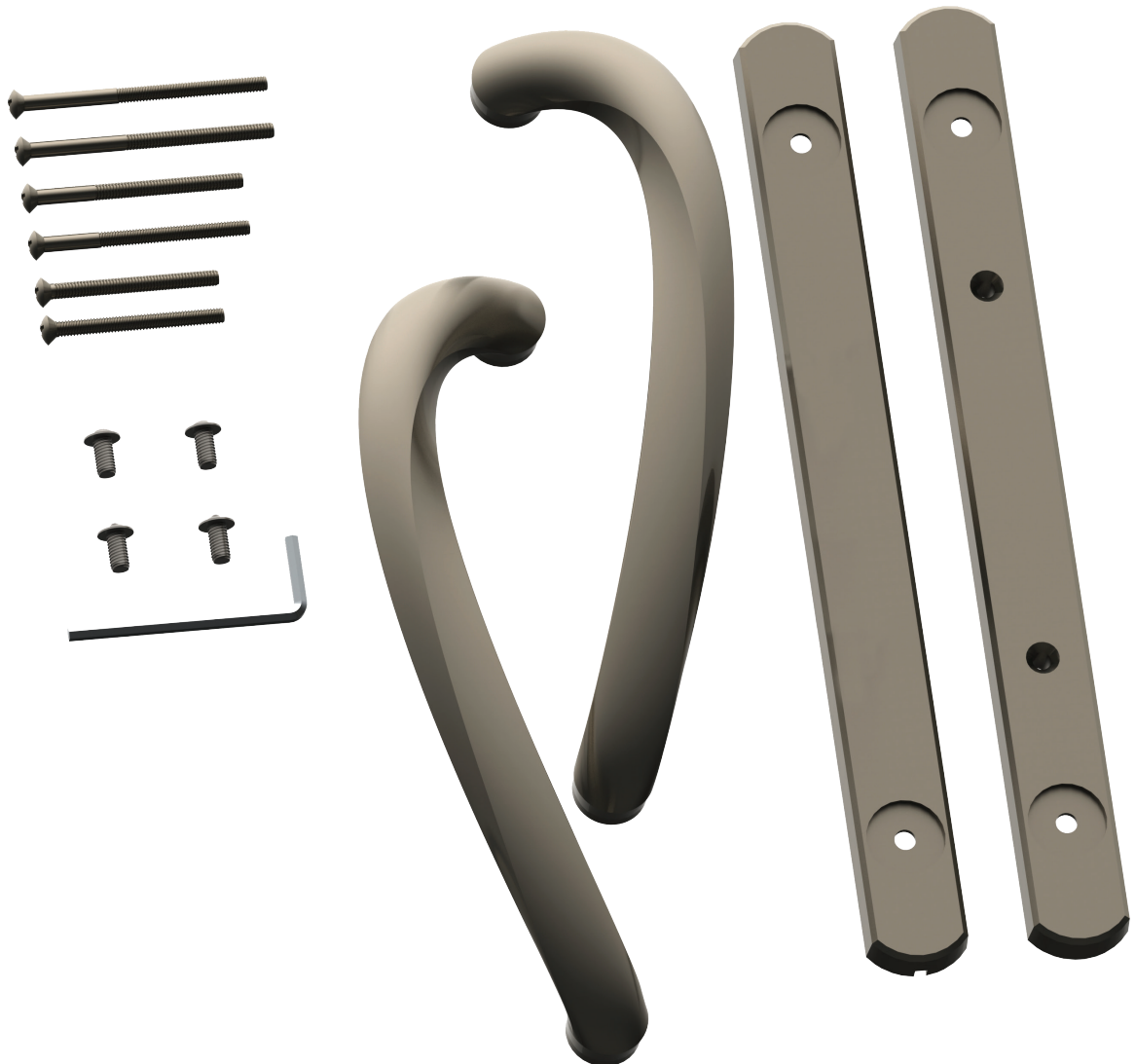




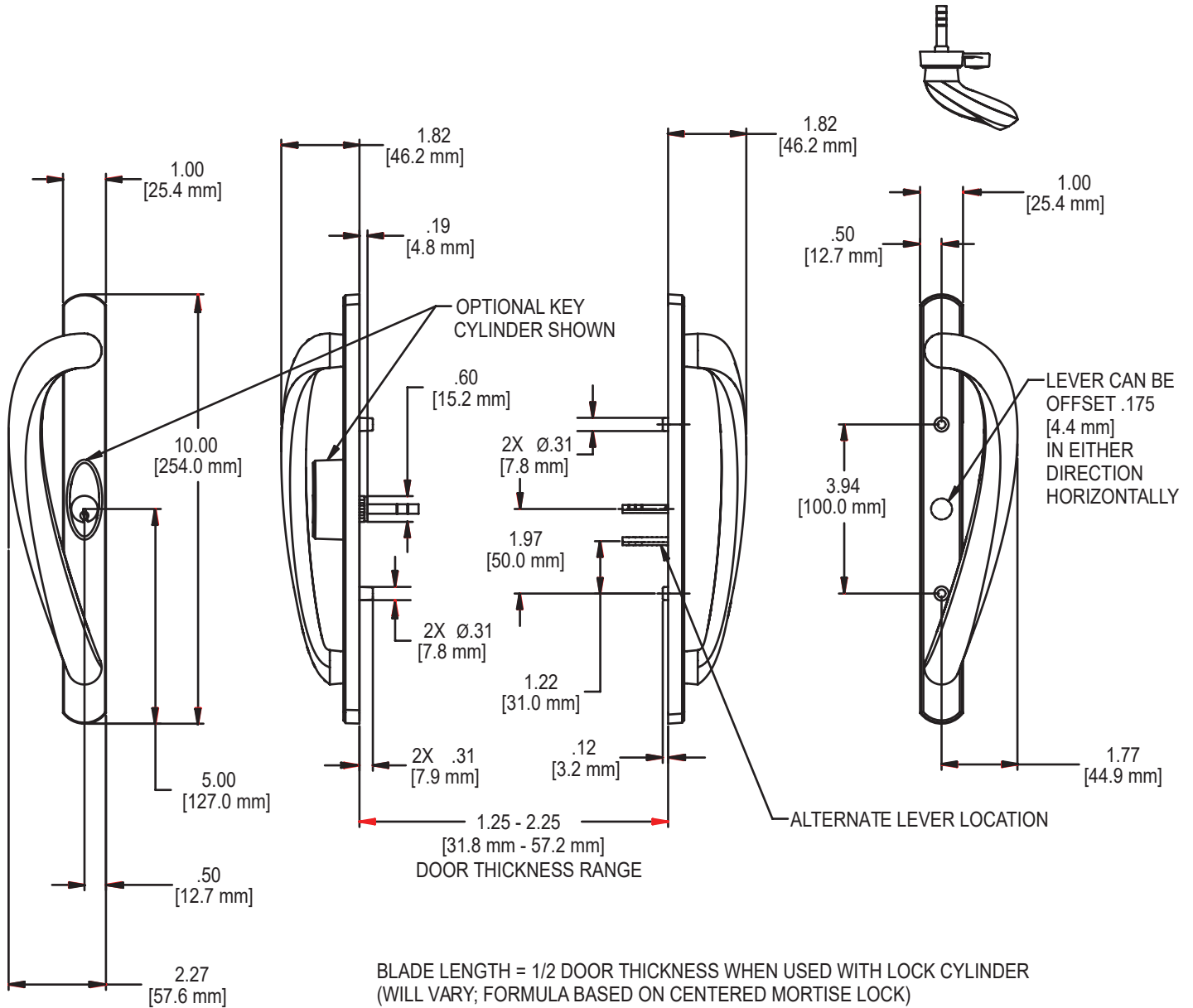
## 40.94.xx.103 INACTIVE HANDLE KIT

Included in the 40.94.xx.103 Inactive handle kit:

- Both OX and XO handles.
- Interior escutcheon.
- Exterior escutcheon with full length gasket.
- 3 sets of door mounting screws of 1 3/4", 2 1/8", 2 1/2" lengths to fit stile thicknesses ranging from 1.25" to 2.25".
- Handle (4) mounting screws with hex wrench.
- Assembly instruction sheet.



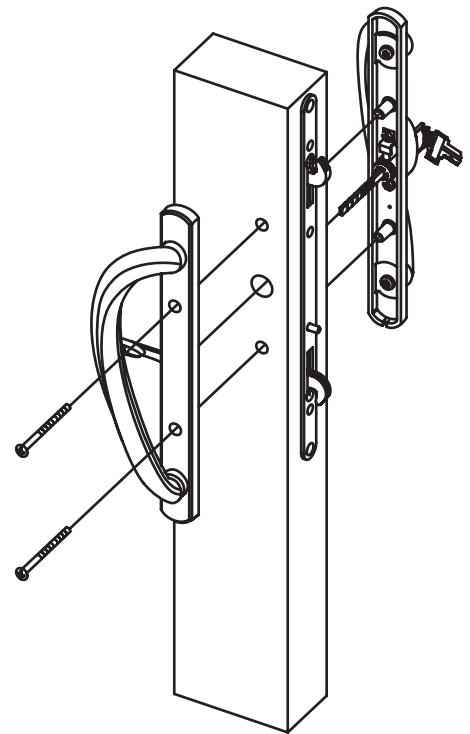
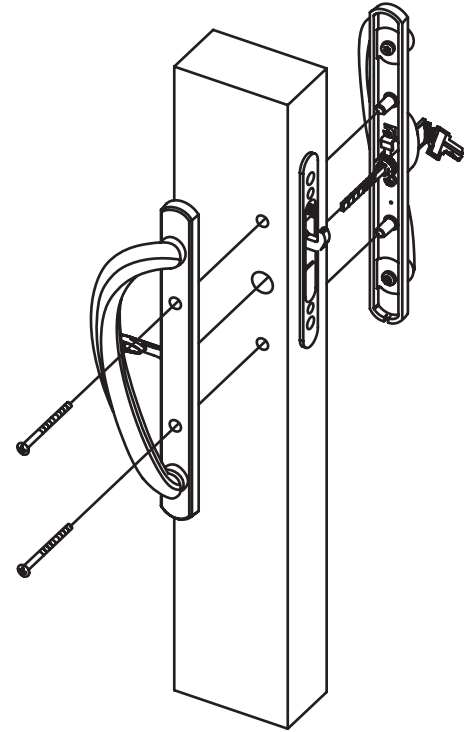
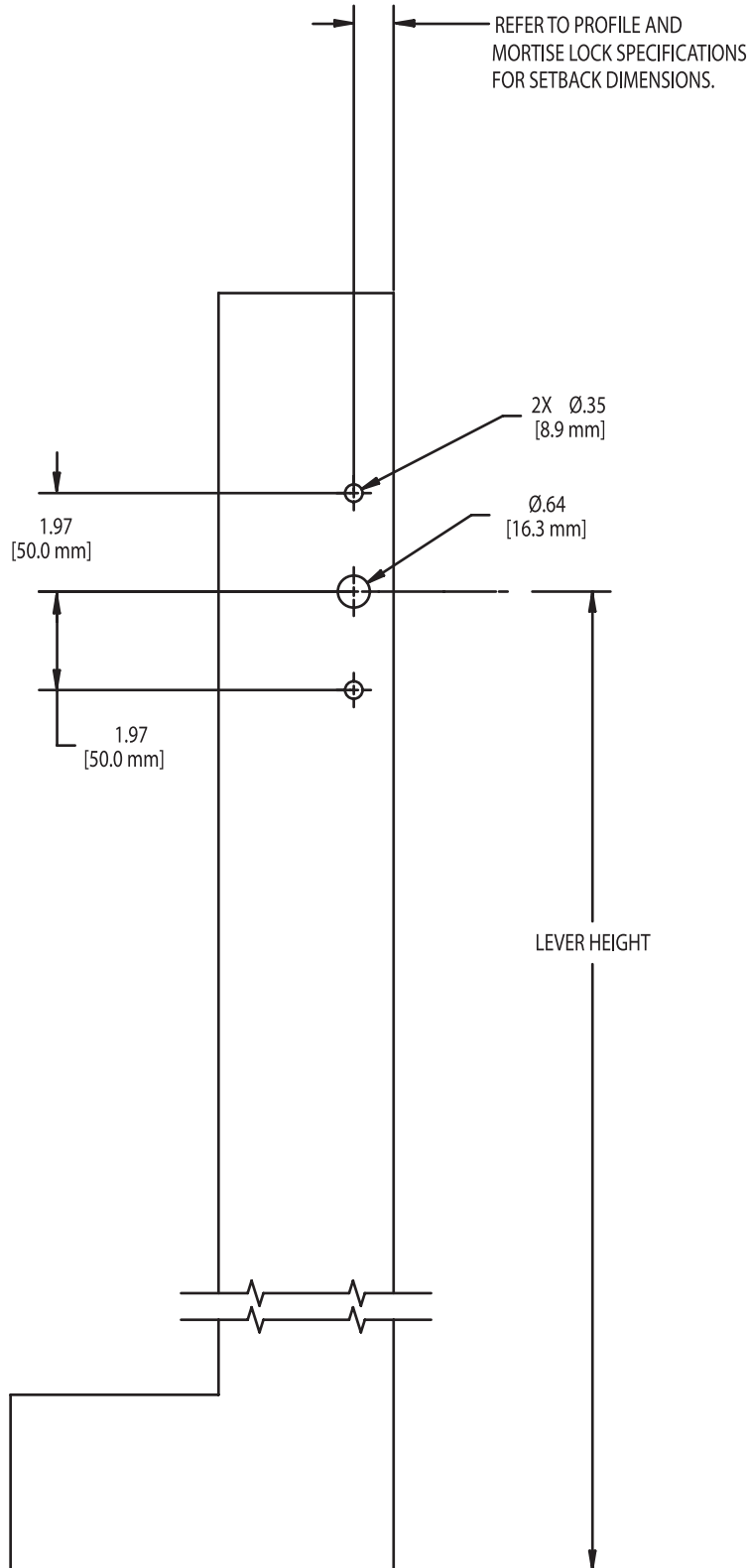
## SIGNATURE SERIES PATIO DOOR HANDLE 40.90



### MOUNTING SCREWS:

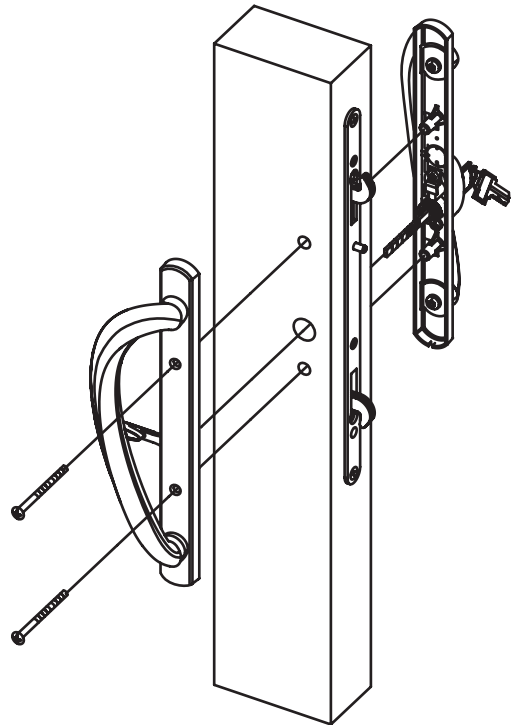
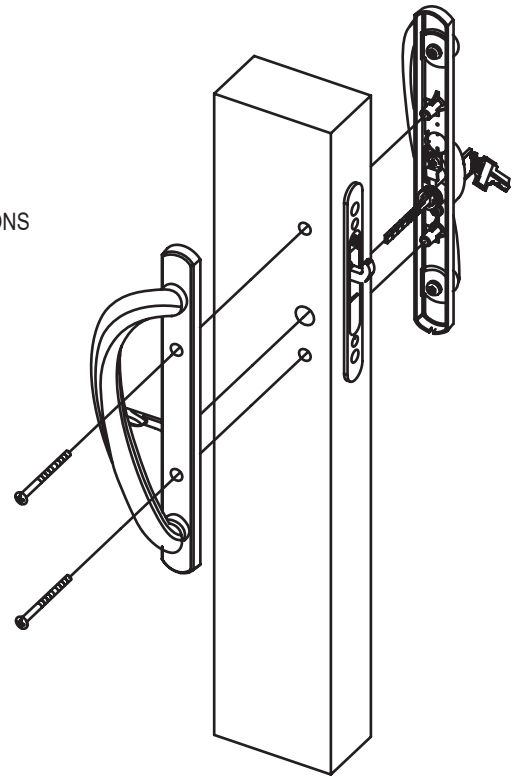
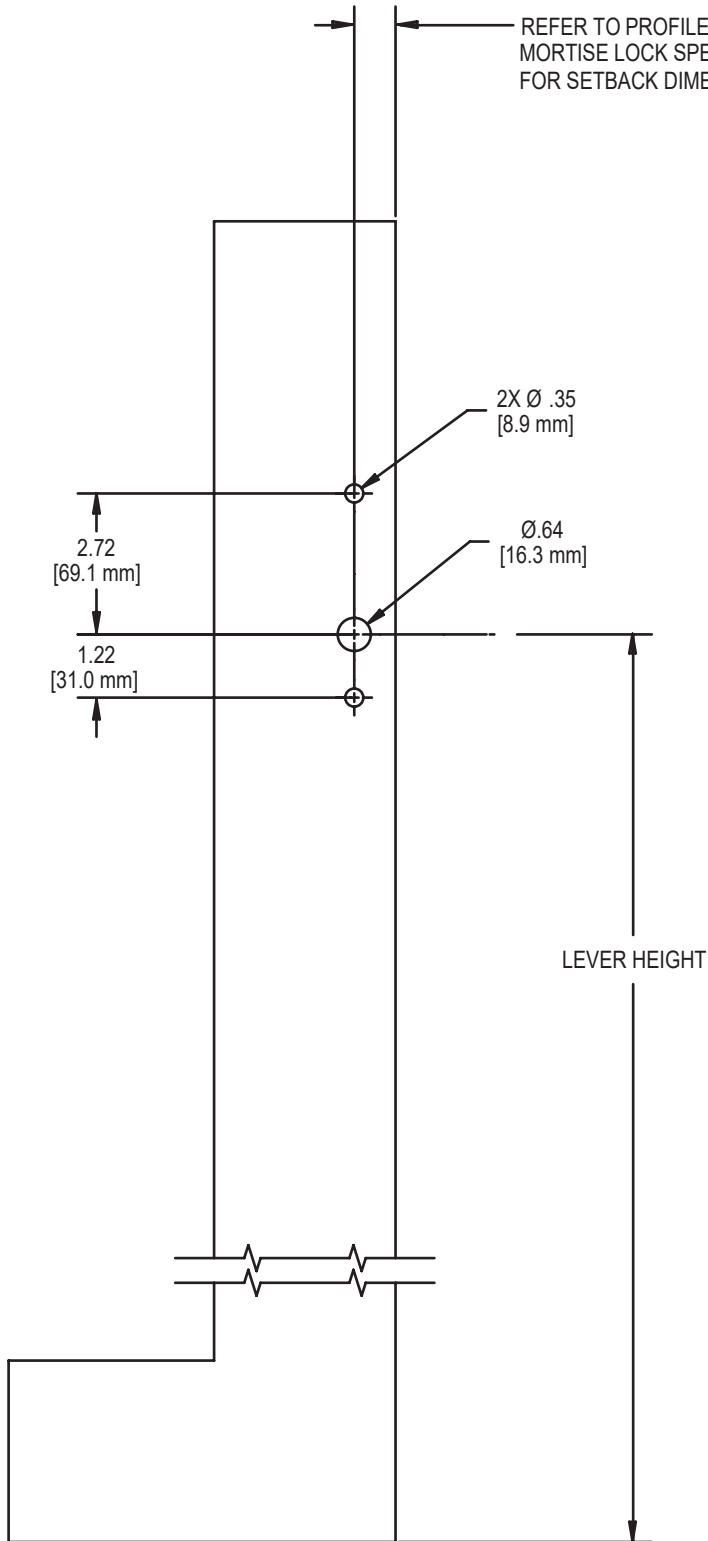
2X #8-32 PHILLIPS OVAL HEAD MACHINE SCREWS (1.75, 2.125, AND 2.50 LENGTH SCREWS ARE PROVIDED IN THE KIT TO FIT STILE THICKNESSES RANGING FROM 1.25 TO 2.25).

## SIGNATURE SERIES PATIO DOOR HANDLE APPLICATION (CENTERED LEVER POSITION)



# Signature 40.90

## SIGNATURE SERIES PATIO DOOR HANDLE APPLICATION (OFFSET LEVER POSITION)



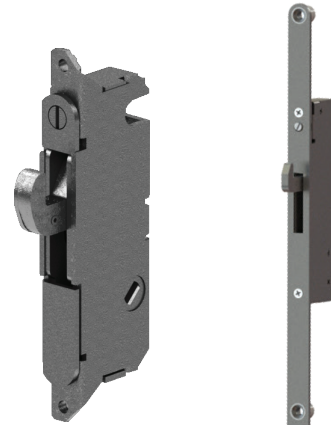
# Signature 40.90

## Compatible Locks:

The Signature Series 40.90 handle sets work with single point, 2 point, and 3 point locks.

AmesburyTruth's technical applications specialists can help assist with determining the best lock for the door system you are fabricating.

The applications team can be reached at:  
[ApplicationSpecialists@truth.com](mailto:ApplicationSpecialists@truth.com)



**Single Point**



**Gemini  
2 - Point**



**Nexus  
2 - Point**



**Nexus  
3 - Point**